



IP Point HART

Quick Start Guide

A-IP.HART-I

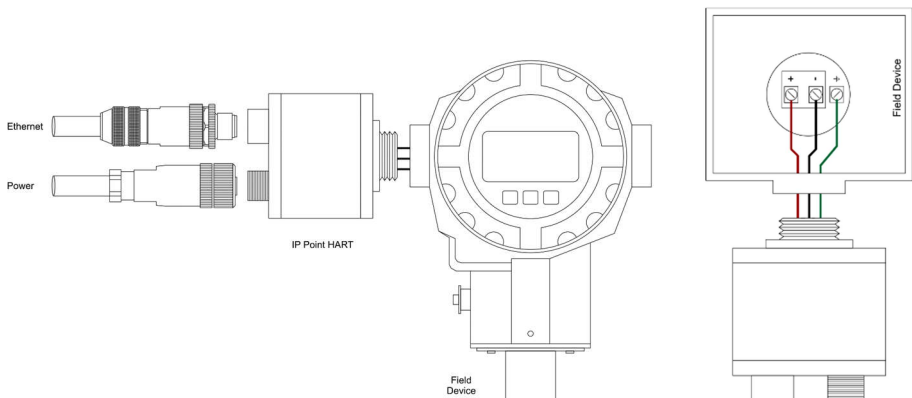
A-IP.HART-O

REQUIRED SOFTWARE

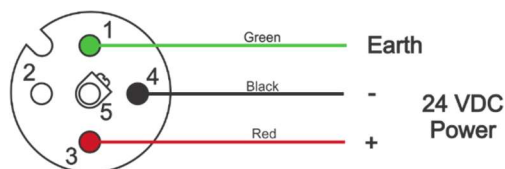
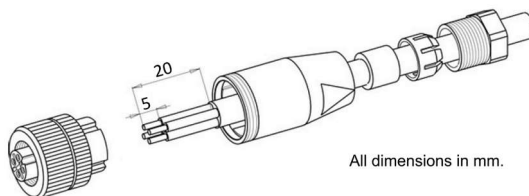
The IP Point HART In/Out requires Aparian Slate software to setup and configure. The software installation can be found at www.aparian.com/software/slate.

MODULE INSTALLATION

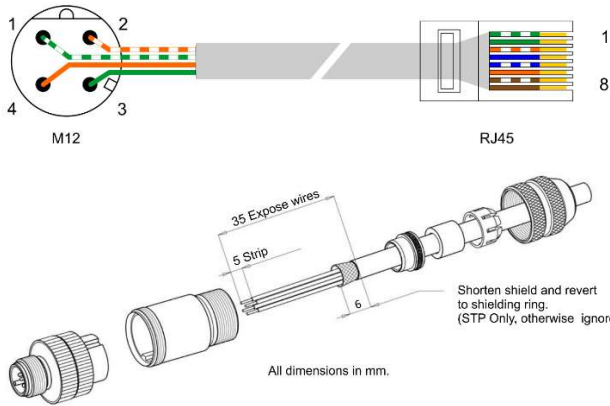
The IP Point HART In/Out requires input power of **12-28Vdc** (the voltage requirements for the field device must also be considered).



The wiring of the power connector can be found in the wiring diagram below.



The wiring of the Ethernet connector can be found in the wiring diagram below.



NETWORK SETUP

The IP Point HART In/Out will have DHCP enabled as factory default. This the user must use a DHCP server to assign an Ethernet network address to the module. Refer to the additional information section for DHCP servers. Once the module has been assigned an Ethernet address the user can configure the module with Aparian Slate.

ADDITIONAL INFORMATION

The following resources contain additional information that can assist the user with the module installation and operation.

Resource	Link
Slate Installation	http://www.aparian.com/software/slate
User Manual, Datasheet Example Code & UDTs	http://www.aparian.com/products/ippointhart
Ethernet wiring standard	www.cisco.com/c/en/us/td/docs/video/cds/cde/cde205_220_420/installation/guide/cde205_220_420_hig/Connectors.html
HART Communication Foundation	http://en.hartcomm.org/
DNP3	http://www.dnp.org
Modbus	http://www.modbus.org

SUPPORT

Technical support will be provided via the Web (in the form of user manuals, FAQ, datasheets etc.) to assist with installation, operation, and diagnostics. For additional support the user can use either of the following:

Contact Us web link	www.aparian.com/contact-us
Support email	support@aparian.com